



Dynamic Audio Solutions

User's Manual

Designer Series

DSL45&DSL115S Passive Line Array System



Revision A0-2025-06

Contents

Safety precautions	02
Wire and connection	04
Appearance	04
Suspension requirements and precautions	05
Dimension	05
Technical Specification	06

Welcome into the world of Audiocenter a world of Dynamic Audio Solutions, By acquiring DSL45&DSL115S Passive Line Array speaker, you will enjoy a product embedded with the last technological achievement and the best materials in pro audio. Many years of effort were put to reach our goal of excellence, creating a system without any quality or compromise for real professional people. We hope you will be pleased to use your new speaker like we are pleased to design it.

◆ Safety precautions ▲

When you set up, install and use the DSL45&DSL115S, please follow the following safety measures strictly:

- There can be danger in any step during hanging installation. Everyone should pay attention to personal safety.
- All purchasers of Audiocenter should be professional people qualified to conduct the work related to such equipment.
- We strongly suggest the users pay full attention to local rules, regulations and laws. Installers have the responsibility to make sure the speaker installations are subject to local rules, regulations, and laws.
- If any danger or defect is detected, measures should be taken immediately to correct it. In touring application, please choose the installation hardware and occasion that can sustain the weight of the equipment.
- Please do not try to hang speakers over the design standard.
When connecting the cables of the products, please use cable tie to fix the cables, to avoid actors, workers, and audience falling on the wire or brackets and affecting the speaker system.
- Please do not place the speakers near equipment sensitive to magnet fields, such as CRT displayer, TV or data saving materials.
- Please do not place the power cable near heating source. Do not over bend or damage the power cables. Do not place heavy things on it. Please do not place the cables that may be pressed or cause stumbling.
- Only the specified rated voltage should be used for this product. Please refer to the back panel of the product for the specified voltage.
- Only the supplied power cable or plug should be used. (If you need to use the product in a place different from the purchase place, please consult your local Audiocenter distributor.) Please check the power cable or plug regularly.
- Please make sure to connect to proper power socket with protection grounding connection. Wrong grounding may cause short circuits.
- The product inside does not include any component that can be repaired by users. In case of abnormal operation, please stop using immediately, and contact qualified Audiocenter maintenance worker to repair.
- Please do not use the product in the rain, or near water, or in humid environment, to avoid liquid spilling to any opening.
- When any of the following situations occurs, please cut the power immediately, and pull out the power plug from the socket, and ask qualified Audiocenter maintenance worker to repair.
 - Wear or damage of the power cable or plug.
 - Abnormal smell or smoking
 - Some substance falls into the product
 - Sound stops suddenly when using the product.
- If the product falls or damages, please turn off the power switch immediately. Pull out the power plug from the socket, and ask qualified Audiocenter maintenance worker to repair. When pulling out the power plug from the power socket or the product, please make sure to grab the plug instead of the power cable. Pulling the power cable directly may cause damage.
- If the product is not used for long time, or there is thunder storm, please pull out the plug from the socket.
- Please do not place the product in any uneven position. Otherwise, it may cause falling off suddenly.
- If the product is not fixed safely, please do not place it in a position that may cause easy falling.
- Please do not block the air hole. The product has air hole at the back to avoid internal temperature too high.
- Bad ventilation may cause damage to the product or even fire.
- Please do not hang or install any other component to the handle of the speaker. It may cause damage or injure.

- Please do not press the back panel of the product to the wall. Otherwise the plug may touch the wall and separate from the cable, and cause short circuits, malfunction, or even fire.
- Before connecting the product to other equipment, please turn off the power switch of all equipment. Before turning on or off the power switch of all equipment, please turn down the volume to the minimum.
- Please do not use the product in a very high or uncomfortable volume. Otherwise, it may cause permanent damage to your ear.
- In case of sound distortion, please do not use the product. To Continue using the product in such status may cause fire.
- Using mobile phones near the speaker may cause noise. In case of noise, please use the mobile phone far from the speaker.
- If you need service, please contact Audiocenter service center, agent, or distributor in your area.

▲ In order to avoid to cause you or others body injury and loss on equipment or property, please make sure to follow above basic items.

Package accessories:

- Audio loop cable
- User’s manual
- Quality certificate

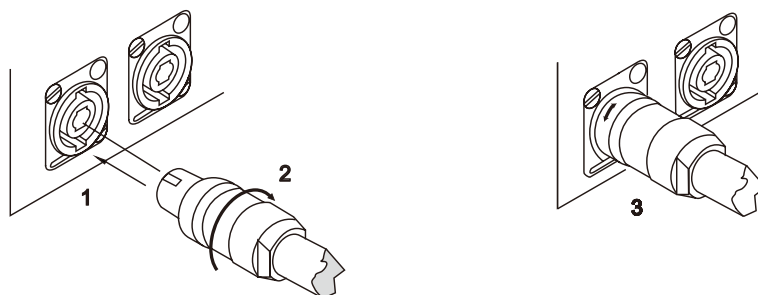
Please check above items carefully. If any questions, please advise Audiocenter representative, dealers, distributors, or contact by email box: support@ac-pro.net.

Optional accessories:

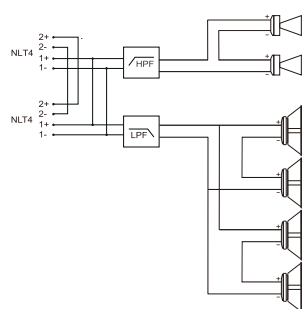
- | | |
|--------------------------------------|--------------------------|
| Frame for flying and ground stacking | Three-feet stand (DSL45) |
| Coupling bar (900mm) | Flightcase |
| Dolly (DSL115S) | Protective bag |

Wire and connection

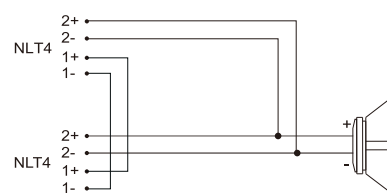
DSL45&DSL115S uses two SPEAKON connectors. These connectors are specific designed for loud speaker use, with in mind safe and reliable connection. To use your loud speaker insert the male SPEAKON connector into any of the input SPEAKON socket and rotate it clockwise. It will then lock into place and be ready for use. The two parallel connectors allow easy loop form one speaker to the next. Unused connector pins are also paralleled. Both connectors can be used as either inputs or outputs.



Connection



DSL45



DSL115S

◆ Suspension requirements and precautions



Warning 1: The suspension load must be confirmed before suspension, and the suspension speakers and hardware are not used in excess of the load. The maximum suspension cabinets for DSL45&DSL115S cannot exceed 16pcs.

Warning 2: Ensure that the speaker system components are properly aligned. If they are not aligned, the latches are not engaged properly. If used in this way, the components may separate, resulting in part damage and personal injury.

Warning 3: Speaker system components must be properly supported when suspended.

Warning 4: Under any condition, when multiple speaker system components or speaker system components are connected to the hanger bracket, the lower component is connected to the upper component.

Speaker assembly and hanging bracket connection:

The front and rear connection rods are locked before the active wire array speaker assembly is connected. As shown in the figure, the speaker assembly rotates upward before and after connecting the rod to make it with the suspension

The holes of the bracket are aligned and then locked using the included latch. Repeat this process until the multiple speaker components are fully locked. The system is ready so that it can hang

Hang up.

Warning: Ensure that the latch of the hoist assembly is fully locked with the hanging support. If not properly locked, the assembly may be separated, resulting in part damage and personal injury.

Suspension of speaker array:

Warning: Consult a licensed professional structural or mechanical engineer to inspect, verify or approve all additions to the building or structure before hanging. Please get

A certified professional assembler lifts, positions, and connects equipment to support structures.

The aircraft belt and horseshoe buckle are connected to the hanging bracket. The horseshoe buckle is connected to different holes of the hanging bracket to obtain different incline angles.

Speaker array separation:

Before separation, both sides of the loudspeaker system components must be correctly supported to reduce the pressure of the weight of the loudspeaker system components on its latching device so that the loudspeaker components can be separated from each other. surface

Move the front and rear connection rods down to retract them into the speaker assembly, then use a latch to lock. Repeat this step for the other side of the speaker system component. Until all the speakers are tied

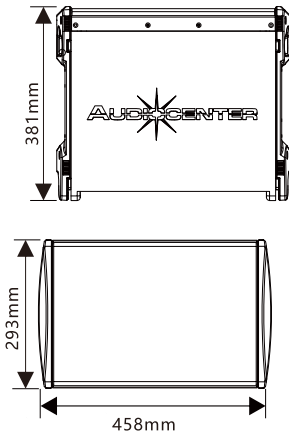
All components are separated.



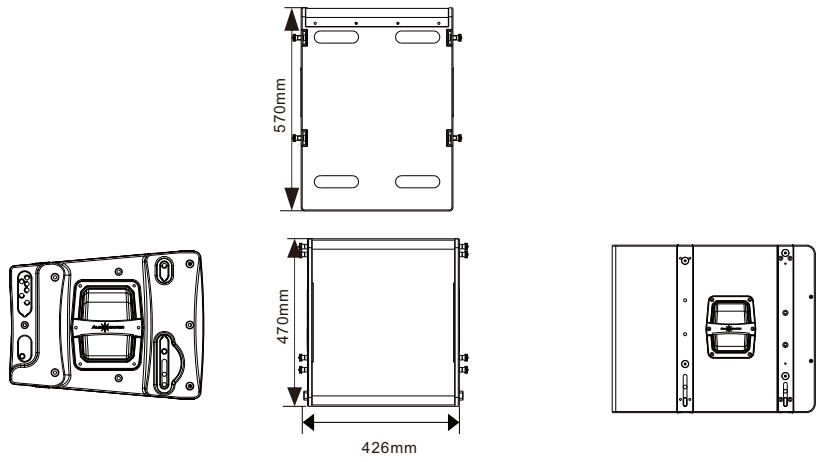
Warning: Please read and follow these instructions carefully. If the loudspeaker is not properly hung, it may fall down, causing personal injury or device damage.

◆ Dimensions and Application

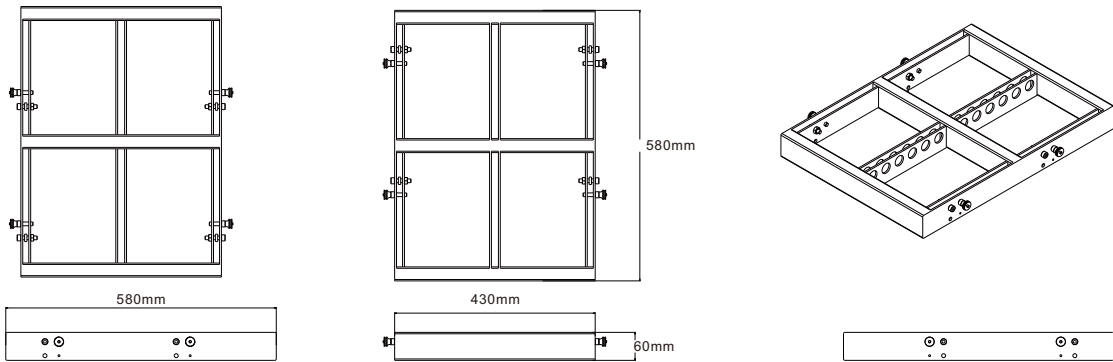
DSL45



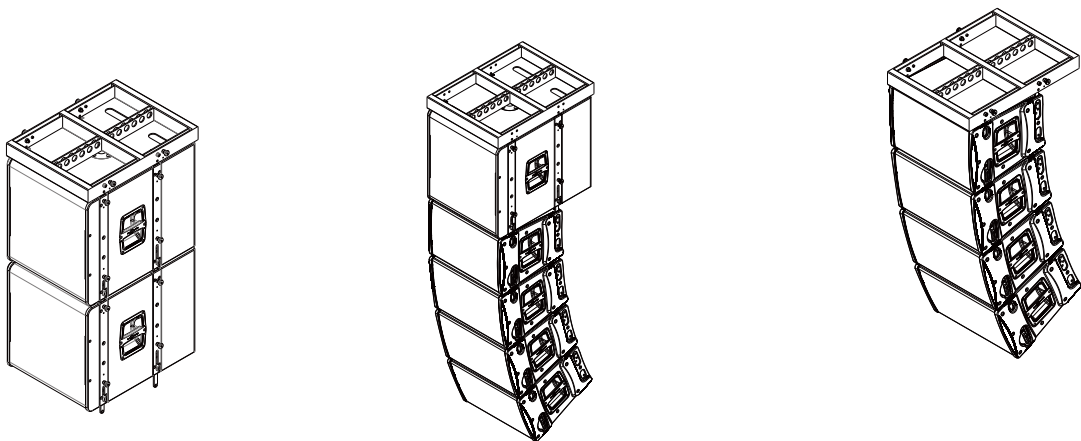
DSL115S



Hanging frame of DSL45&DSL115S



◆ Appearance:



◆ Technical Specification

Specifications		DSL45	DSL115S
Type		Passive Line Array Loudspeakers	Passive Subwoofer
Power(RMS standards)	Continuous	240W	500W
	Program	480W	1000W
	Peak	960W	2000W
Frequency response (-10dB anechoic chamber)		63Hz-20KHz	45Hz-300Hz
Horizontal coverage Angle (symmetrical)		120°	/
Vertical Coverage(symmetrical)		/	
Maximum calculated SPL/m	continuous	121db	
	Program	124dB	
	Peak	127dB	
Drivers	HF	Customized driver, 1"voice coil, 1" exit	/
	MF	/	
	LF	Customized Audiocenter driver, 1"voice coil	Customized Audiocenter driver, 4"voice coil
Impedance		8Ω(+1,-1)	8Ω(+2,-2)
Crossover mode		Passive Crossover	/
Signal Input		2x NL4MP	

CABINET	
Cabinet Material	CNC machined plywood
Adjust angle	0.5°、1.5°、3°、5°、7°、10° /
coating	Durable Polyurea Coating
Cabinet Color	Black is the default color. Contact Audiocenter for customization
Grille	Iron mesh
Handles	2 side
Monitor Angle	/
Hanging Hardwares	/
Pole Mount	/ M20 base φ35mm
Speaker Dimension(WxHxD)	458x293x381mm 426 X 470 X 570mm
Carton Dimensions(WxHxD)	389x553x476mm 512 X 565 X 657mm
Net Weight	17kg 32kg
Shipping Weight	20kg 35kg
Technical Support and After-sales Service	Global application support team

■ All content subject to change without notice. All rights reserved.



Dynamic Audio Solutions