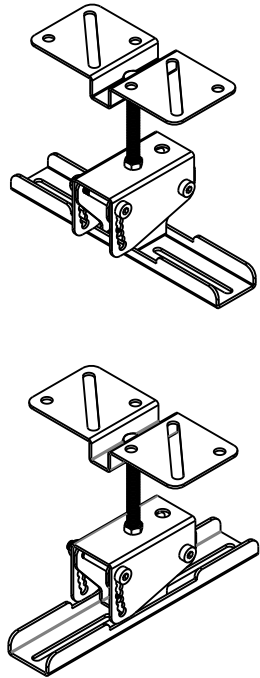
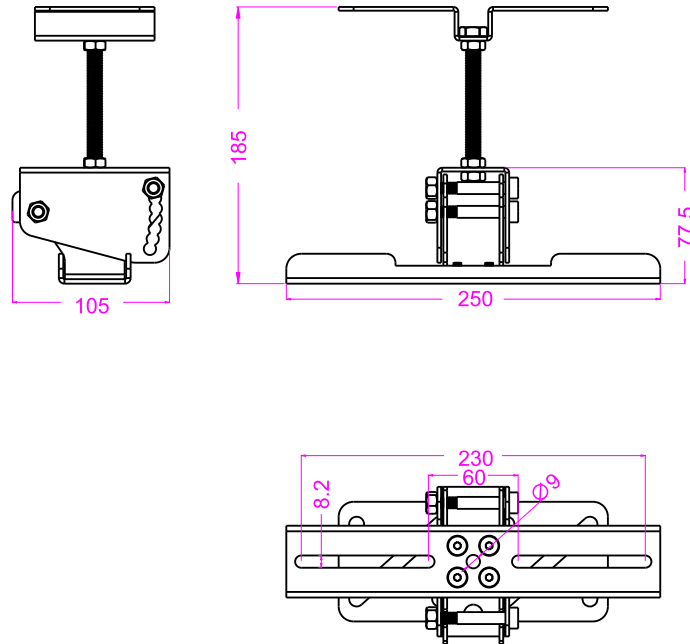


## Professional Speaker Hanging Frame W01 USER GUIDANCE



- ◆ Professional speaker hanging frame is specially designed for full-range speakers, offering easy adjustment and quick installation.

W01 Hanging Frame:

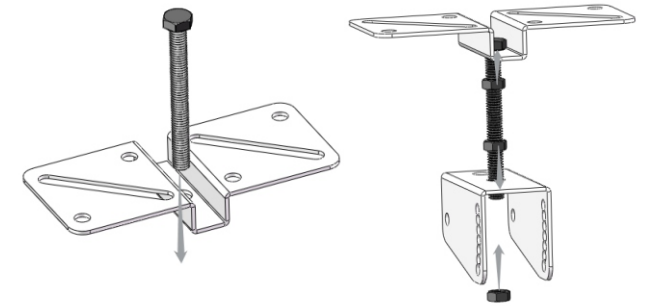


This hanging frame is specially designed for the suspended installation of professional speakers.

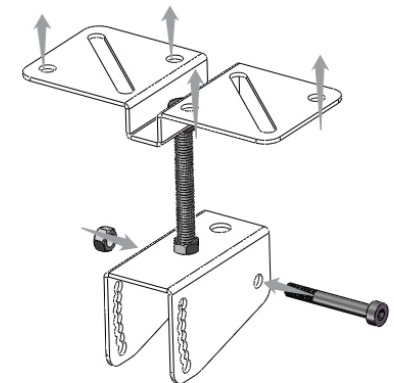
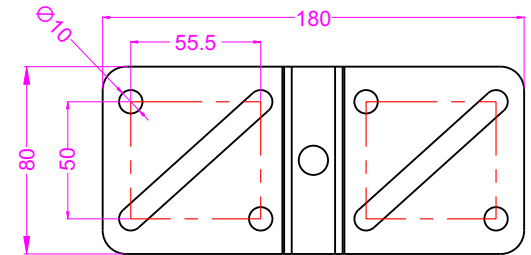
Featuring professional-grade design and premium materials, it supports stepless angle adjustment from 0° to 30° in 5° increments, safely handles up to 50 kg, and installs quickly, easily and securely.

### ◆ Installation Guidance :

- 1 Install the upper part of the hanging frame

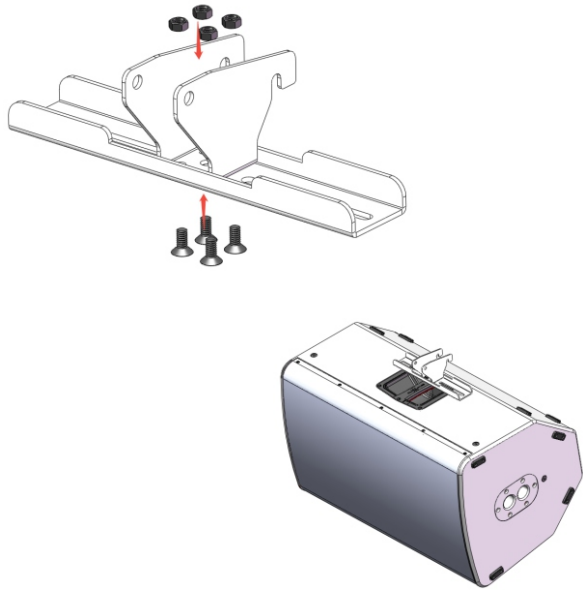


- 2 After setting the desired horizontal angle, secure the ceiling bracket to a solid ceiling surface.

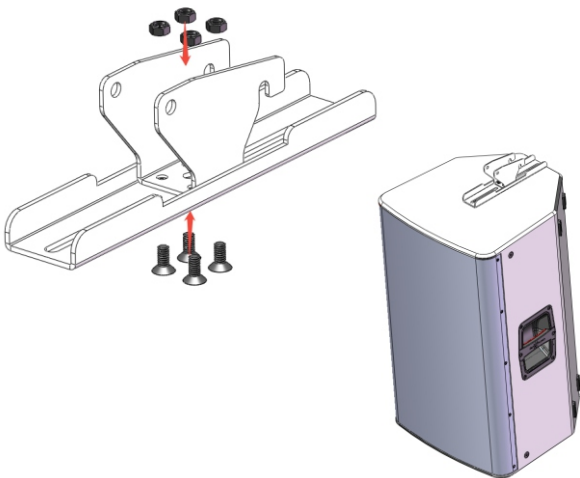


- 3 Adjustment of horizontal and vertical hanging positions

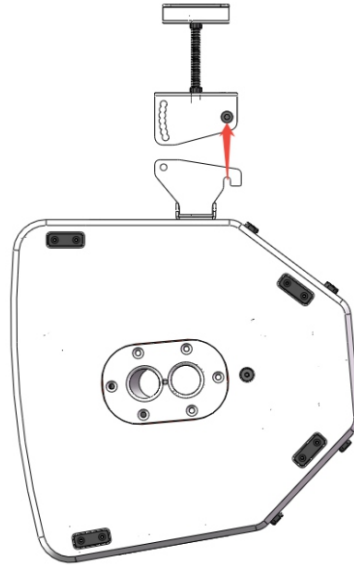
Horizontal Suspension



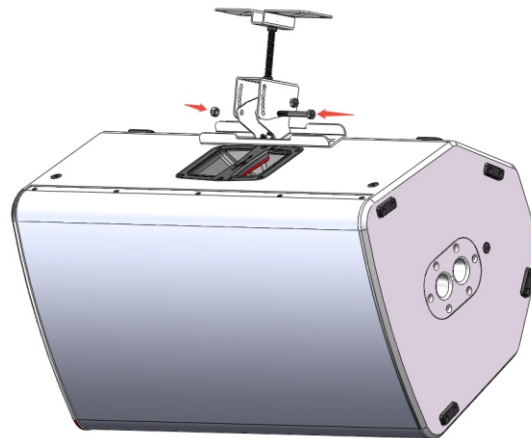
Vertical Hanging



- 4 Hook the hanging frame onto the screw and ensure it clicks firmly into place.



- 5 Adjust the speaker to the desired angle, then tighten the screw to lock it in place.



- 6 Installation completed.

